



GILL & HOBBS  
— LIGHTING —

# 16" PEDESTAL FAN

PLU - 134289

## INSTRUCTION MANUAL



# Welcome

Thank you for purchasing this product. Please read all instructions and warnings carefully before use, failure to follow instructions listed may result in electronic shock, fire or serious injury.

---

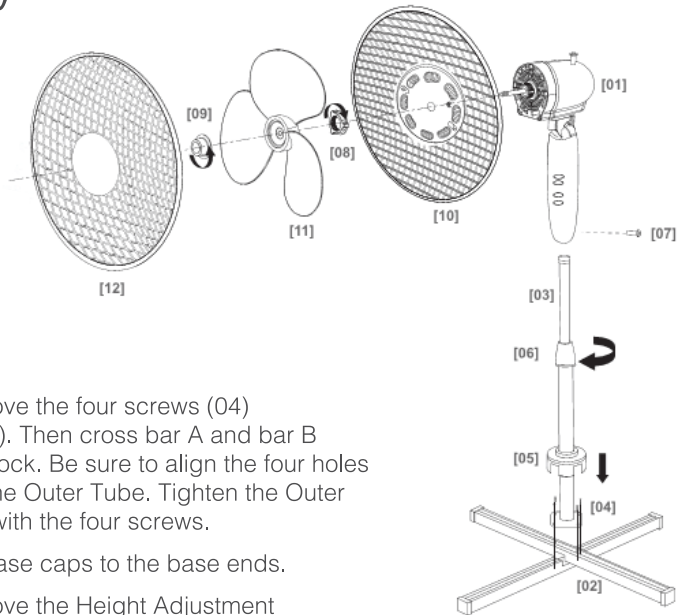
## Your 16 Inch Pedestal Fan

### **In The Box**

Carefully remove your 16 inch pedestal fan from the box.

- Front Grille
- Fan Blade Securing Cap
- Fan Blade
- Back Grille Mounting Nut (located on motor the shaft)
- Back Grille
- Motor Unit
- Main Body
- Upper Pole
- Lower Stand
- Base Cover
- 4 X Cross Base Screw
- 2 X Cross Base
- Small Nut and Bolt

# Assembly



## Body Assembly

Loosen and remove the four screws (04) from the bars (02). Then cross bar A and bar B so that they interlock. Be sure to align the four holes in the bars with the Outer Tube. Tighten the Outer tube to the bars with the four screws.

2. Attach the four base caps to the base ends.
3. Loosen and remove the Height Adjustment Collar (06) from the top of the Inner Tube. Put the Base Decorative Cap (05) down to the base through the tube inside.
4. Replace the Height Adjustment Collar (06) on top of the Inner Tube (03). Pull the Inner Tube (03) out from the Outer Tube to adjust the tube to the desired height and tighten the collar.
5. Slightly loosen the Switch rotated ring (07) by turning it anticlockwise. Put the Switch Box down over the Inner Tube and tighten the Switch rotated ring. Make sure it is tightly secured.

## Fan Grill Assembly

1. Remove locking nut (08) by turning it anticlockwise from the motor axial.
2. Place the back safety grill (10) into position. The slots on the grill should align with the plastic rod on the front motor cover. If this is done correctly, the safety grill's carry handle will be at the top.
3. Fix the back safety grill (10) into position by replacing the locking nut (08) tightly by hand. Do not force the locking nut.

# Assembly Continued

4. The groove in the centre of the fan blade (11) aligns with bolt on the motor axial to ensure correct positioning.
5. Fix the blade into motor axial by gently hand and tightening blade lock (09) by anticlockwise onto the end of the motor axial.
6. Use 3 screws to install the decorative ring in the middle of front safety grill.
7. Mount the front Safety Grill(12) onto the back safety Grill(10) by hanging the top hook clip of front grille over the top of the back safety grill. Close the clasps all around the grill, finally fit the nut and screw through the hole in the bottom edge of the front grill and tighten.

## Using Your 16 Inch Pedestal Fan

1. Set the fan on a level dry surface.
2. Plug the power cord into a standard AC 220-240V wall outlet.
3. Press speed key to set the desired speed 3="HI" 2="MED" 1="LOW".
4. Press 0="OFF" key to turn the fan off.
5. To start or stop fan head oscillating, press or pull the oscillating knob on the top of the motor housing.

## Cleaning & Maintenance

1. Before cleaning, always unplug the fan until it is completely cool down, then dis-assembly fan guards for cleaning.
2. Use a soft cloth, moistened with a mild soap, to clean fan and guard. DO NOT use abrasive cleaners.
3. DO NOT immerse fan in water and never allow water to dip into the motor component.
4. DO NOT use gasoline, thinner or other chemicals to clean the fan.

# Technical Specification

PLU	134289
Power Supply	220-240V~
Rated Frequency	50 - 60Hz
Power	45W

Product information requirements	
Maximum fan flow rate (F)	40.59 m <sup>3</sup> /min
Fan power input (P)	44.80 W
Service value (SV)	0.91 (m <sup>3</sup> /min)/W
Measurement standard for service value	Commission Regulation (EU) No 206 / 2012 : EN IEC 60879:2019 EN IEC 60879:2019 EN IEC 60704-2-7:2020 EN IEC 60704-1:2021 EN 50564:2011
Standby power consumption (PSB)	0 W
Fan sound power level (LWA)	51.69 dB(A)
Maximum air velocity (c)	2.68 meters/sec



OGALAS ULC  
D12 ECR9  
MADE IN CHINA

Cleaning and user maintenance shall not be made by children without supervision.

# Disposal of the unit

## WEEE

### **Information on Waste Disposal for Consumers of Electrical & Electronic Equipment**

This mark on a product and/or accompanying documents indicates that when it is to be disposed of, it must be treated as Waste Electrical & Electronic Equipment (WEEE).

Any WEEE marked waste products must not be mixed with general household waste, but kept separate for the treatment, recovery and recycling of the materials used.

For proper treatment, recovery and recycling; please take all WEEE marked waste to your Local Authority Civic waste site, where it will be accepted free of charge.

If all consumers dispose of Waste Electrical & Electronic Equipment correctly, they will be helping to save valuable resources and preventing any potential negative effects upon human health and the environment, of any hazardous materials that the waste may contain.

# General safety

- Ensure that you read all of the safety instructions before using this product.
- This product has been designed and manufactured to meet European safety standards, but like any electrical equipment, care must be taken if you are to obtain the best results and safety is to be assured.
- Do read the operating instructions before you attempt to use the product.
- Do ensure that all electrical connections (including the mains plug, extension leads and interconnections between pieces of equipment) are properly made in accordance with the instructions.
- Switch off and remove the mains plug or mains adapter when making or changing any connections.
- Do consult your dealer if you are ever in doubt about the installation, operation or safety of your product.
- Don't remove any fixed covers as this may expose you to dangerous voltages.
- Don't continue to operate the product if you are ever in doubt about it working normally, or if it is damaged in any way. Switch it off, withdraw the plug from the mains and consult your dealer.
- There are no user serviceable parts in the product. When servicing, refer to qualified service personnel.
- Don't leave the product switched on when it is unattended for long periods of time, unless it is specifically stated that it is designed for unattended operation or has a standby mode.

- Don't obstruct the ventilation vents on the product, for example with curtains or soft furnishings, as this may cause overheating.
- Do not place the product in closed bookcases or racks without proper ventilation.
- Do not use the product in humid or damp conditions or allow it to be exposed to rain or moisture.
- Store the product in a clean, dry environment.
- The product shall not be exposed to dripping or splashing and no objects filled with liquids, such as vases, shall be placed on it.
- Position the power cable and other connected cables so that they are not likely to be walked on, pinched or where items can be placed on or against them.
- Never allow children to insert foreign objects into holes or slots on the product.
- No naked flame sources, such as lighted candles, should be placed on the product.
- Disconnect the product from the mains supply before cleaning.
- Do not use any liquids or aerosol cleaners, as this may damage the product. Use a soft, dust-free cloth.
- Contact local authorities for means of disposal.
- Make sure that other people in your household are conversant with operation of the product.



# Product Safety

## **READ CAREFULLY AND KEEP FOR FUTURE REFERENCE.**

When using electrical appliance basic safety precautions should be followed, including the following:

- This appliance can be used by children aged from 8 years and above and persons with reduced physical, sensory or mental capabilities or lack of experience and knowledge if they have been given supervision or instruction concerning use of the appliance in a safe way and understand the hazards involved.
- Children shall not play with this appliance.
- Cleaning and user maintenance shall not be made by children without supervision. Ensure that the fan is switched off from the supply mains before removing the guard.
- If the supply cord is damaged, it must be replaced by the manufacturer, its service agent or similarly qualified persons in order to avoid a hazard.
- The fan is only for intended use as described in this manual. All other uses not recommended in manual may cause fire, electrical shock or injury to persons.
- This fan is intended for household use only.
- To protect against electrical shock, do not immerse fan, plug or cord into water or spray with liquids.
- Close supervision is necessary when any appliance is used by or near children.
- Always unplug the fan when it is not in use, when moving fan from one location to another, and before cleaning.
- Avoid contacting moving parts. Never insert fingers, pencils or other similar objects through the guard.

## Product Safety continued

- Do not operate in the presence of explosive or flammable fumes.
- Do not place fan or parts near an open flame, cooking or other heating appliances.
- Do not operate fan with a damaged cord, plug or after the fan suffered malfunctions or has been dropped or damaged in any manner.
- The use of attachment not recommended by manufacturer may be hazardous.
- Do not use outdoors.
- Do not let cord hang over the edge of a table or counter, or let it touch any hot surfaces.
- To disconnect, grip plug and pull from wall outlet , Never yank cord.
- Do not operate without fan lattice properly in place.
- Always use on a dry level surface.
- If the supply cord is damaged, it must be replaced by the manufacturer or its service agent or similarly qualified person in order to avoid a hazard
- If the plug does not fit fully in the outlet, reverse the plug. If it still does not fit, contact a qualified electrician.

DO NOT attempt to defect this safety feature.

## Electrical information (Fixed Mains Plug Only)

The mains lead supplied with this product is fitted with a BS1363/A 13 amp plug. If it is not suitable for your supply sockets it must be replaced with an appropriate plug.

If the plug becomes damaged and/or needs to be replaced please follow the wiring instructions on the next page. The plug removed must be disposed of immediately. It must not be plugged into a supply socket as this will be an electrical hazard.

If the fuse needs to be replaced it must be of the same rating and ASTA approved to BS1362. If the plug is changed, a fuse of the appropriate rating must be fitted in the plug, adapter or at the distribution board. If the fuse in a moulded plug is replaced, the fuse cover must be refitted before the appliance can be used.

## Wiring instructions

The supply cable will be either 2-core or 3-core. Follow the appropriate wiring instructions shown. In both cases ensure that the outer sheath of the cable is firmly held by the cable clamp.

## Electrical information (Power adapters only)

Never open the power adapter, you risk getting an electric shock.

Only use the power adapter that is supplied with your product.

You must always connect the power adapter to the product before connecting to the mains power supply.

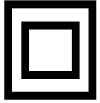
The power adapter must be used indoors only, and must not be subjected to damp conditions.

The power adapter does not have any user serviceable parts.

## 2-core plug



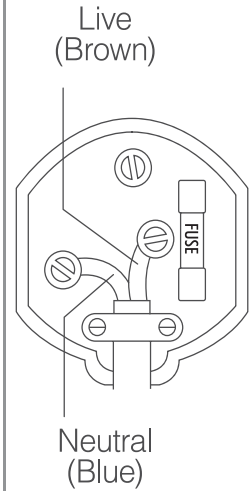
**WARNING:** Do not connect either wire to the earth terminal.



This symbol indicates that this 2-core appliance is Class II and does not require an earth connection.

The wire coloured blue must be connected to the terminal marked with the letter N or coloured black.

The wire coloured brown must be connected to the terminal marked with the letter L or coloured red.



## 3-core plug



**WARNING:** This appliance must be earthed.



The wire coloured green and yellow must be connected to the terminal marked with the letter E, or by the earth symbol, or coloured green or green and yellow.

The wire coloured blue must be connected to the terminal marked with the letter N or coloured black.

The wire coloured brown must be connected to the terminal marked with the letter L or coloured red.

