

English

NORDHAUS WIRELESS CHARGING Cabinet Witch Speaker

ASSEMBLY INSTRUCTION

Thanks for purchasing one of our products, please read carefully the assembly instructions before the installation (Attention: Do not tighten the screws before all screws are in place).



**TWO PEOPLE
REQUIRED**

S-36A

General Care:

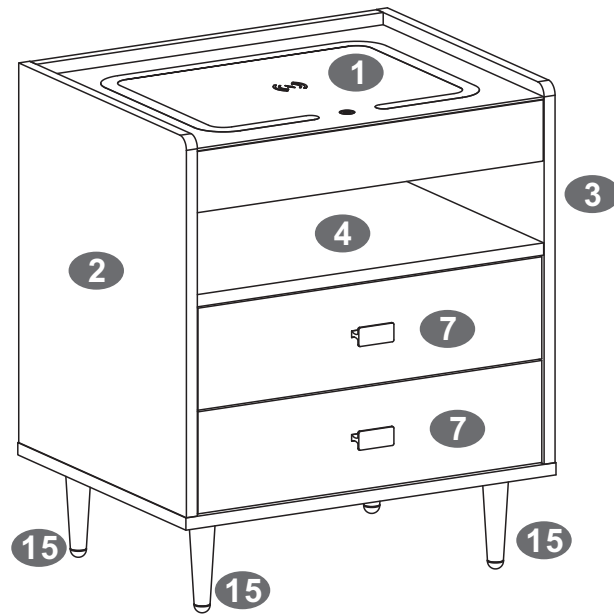
-Keep your furniture out of direct sunlight-Use desk pads and coasters to protect the surface from dents, scratches, and moisture from hot or cold liquids.

Cleaning:


-For cleaning, wipe the surface with a damp (not wet) cloth or wipe dry with a clean lint free cotton cloth.
-Window cleaning liquid or a similar cleaning liquid can be used to clean glass surface.



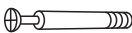





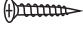
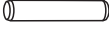
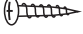

■ PARTS LIST



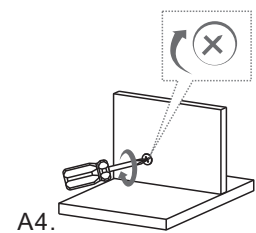
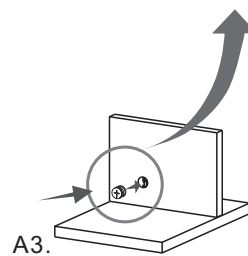
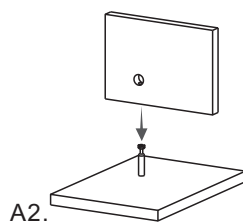
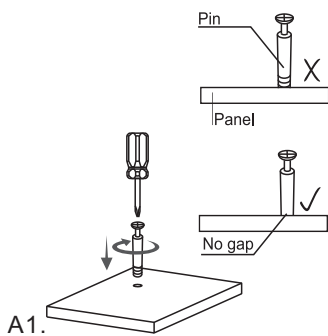
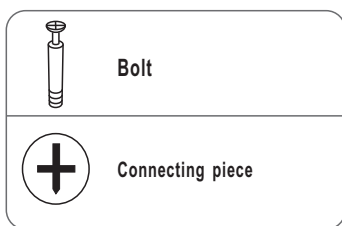
 X1	 X1	 X1	 X1
 X1	 X1	 X2	 X2
 X2	 X2	 X2	 X2
 X4	 X4 16A 16B	 X2	 X4
		 X1 17A 17B	 X1

19			
X1			

SCREWS LIST

PART	QTY.	ITEM		PART	QTY.	ITEM	
A	9	6X40 MM		F	8	4X35 MM	
B	4	6X12 MM		G	4	5X40 MM	
C	3	3X12 MM		H	9	Φ15 MM	
D	24	3X15 MM		I	4	8X30 MM	
E	16	4X14MM			1		

6X40MM BOLT INSTALLATION AS BELOW:



■ ASSEMBLY STEPS:

1

2

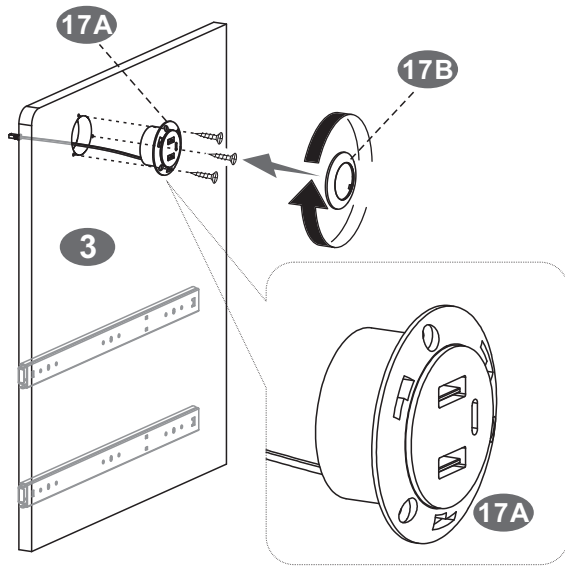
3

■ SCREWS
D 3X15 MM
 x4

■ SCREWS
D 3X15 MM
 x4

■ SCREWS
E 4X14 MM
 x16

4



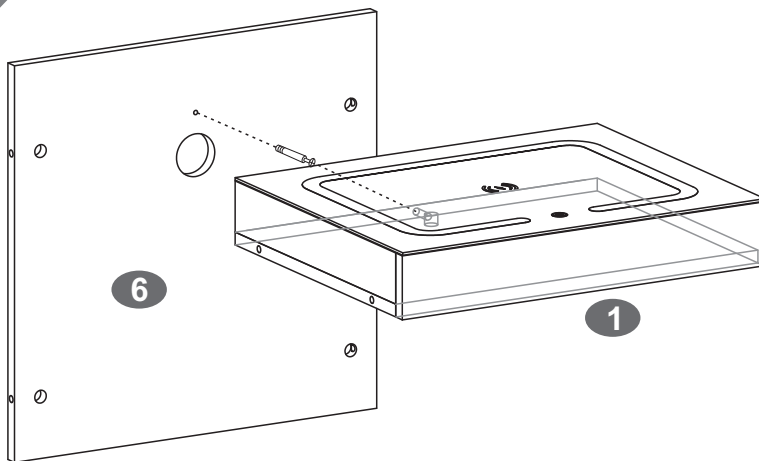
SCREWS

C 3X12 MM

x3



5



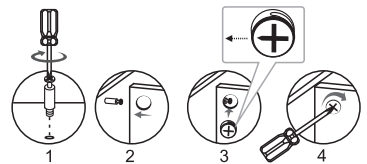
SCREWS

A 6X40 MM

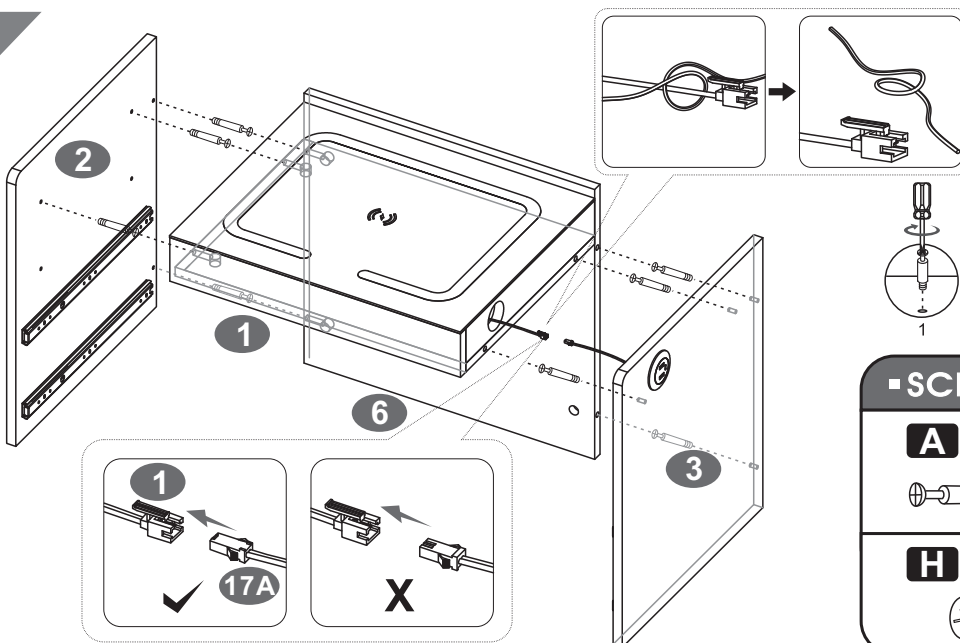
x1

H Φ 15 MM

x1



6



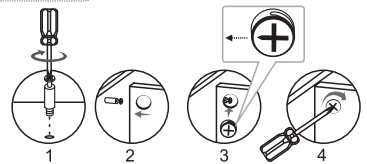
SCREWS

A 6X40 MM

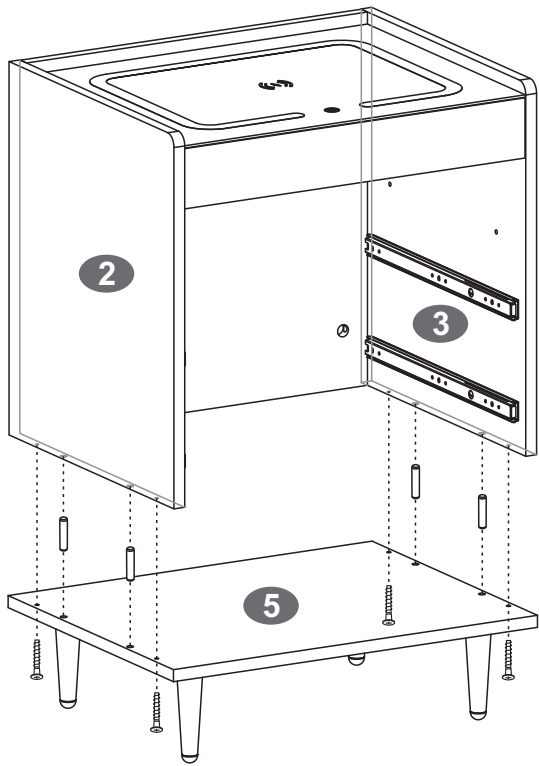
x8

H Φ 15 MM

x8



7



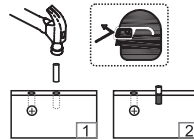
SCREWS

G 5X40 MM

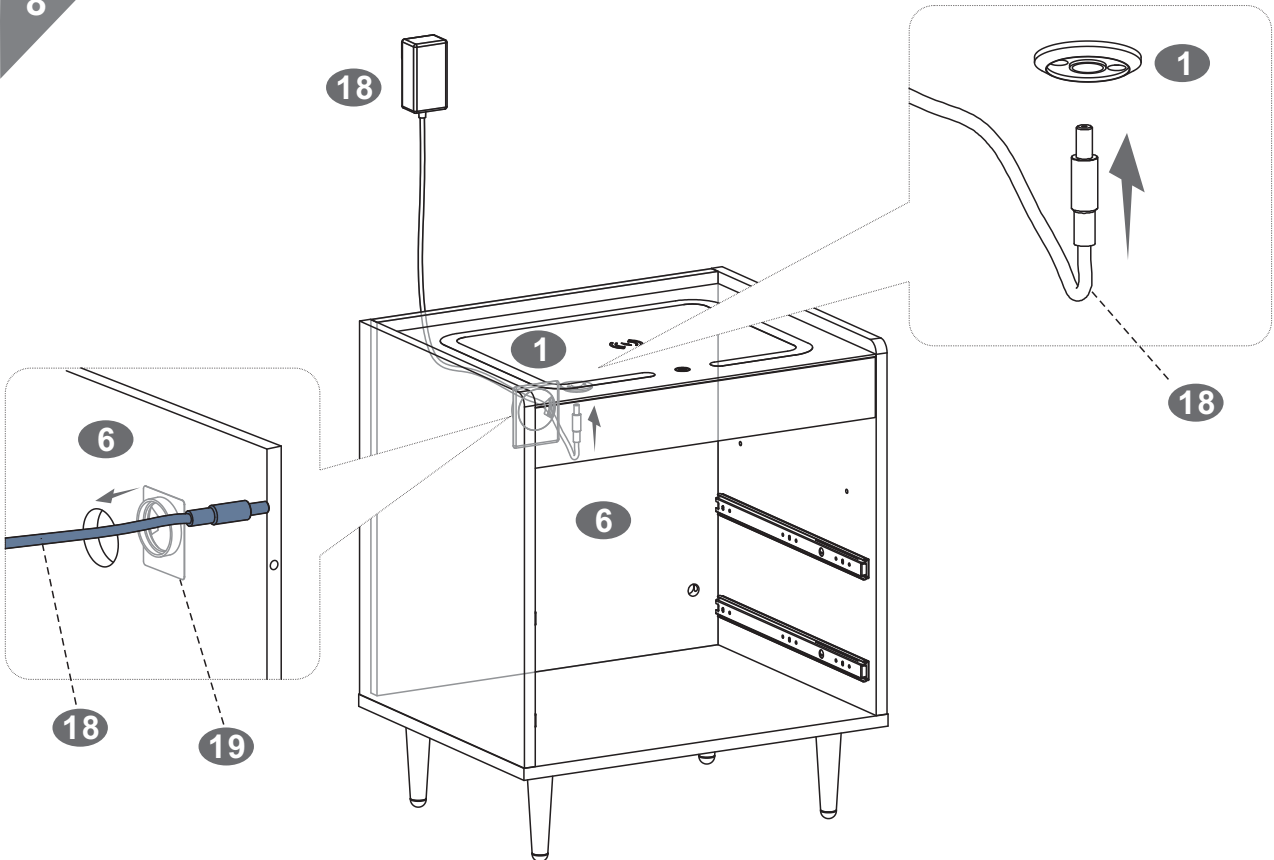
 x4

I 8X30 MM

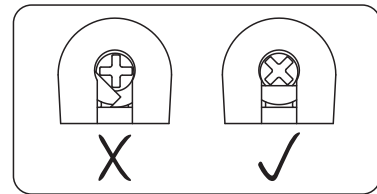
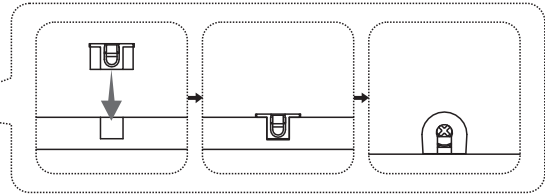
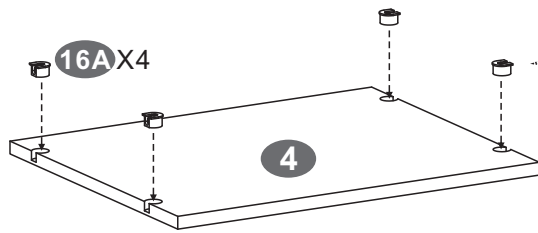
 x4



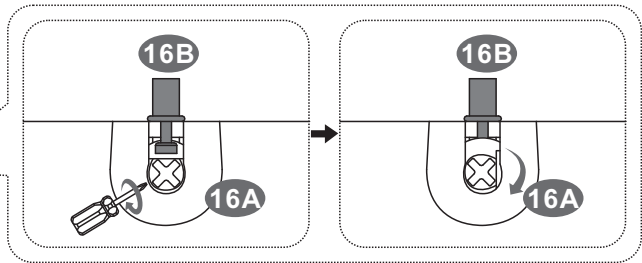
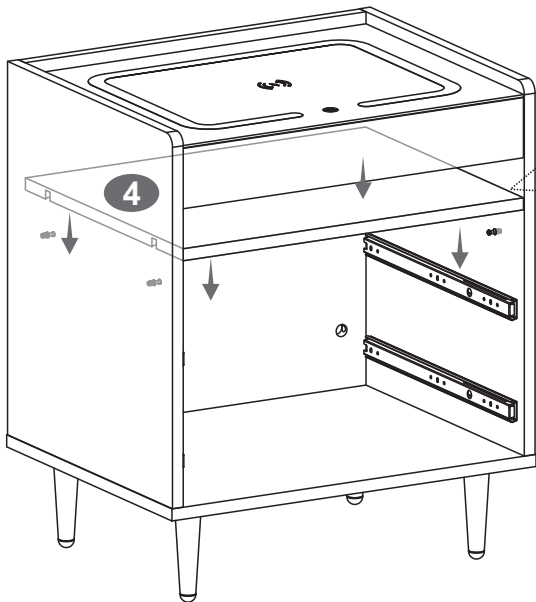
8

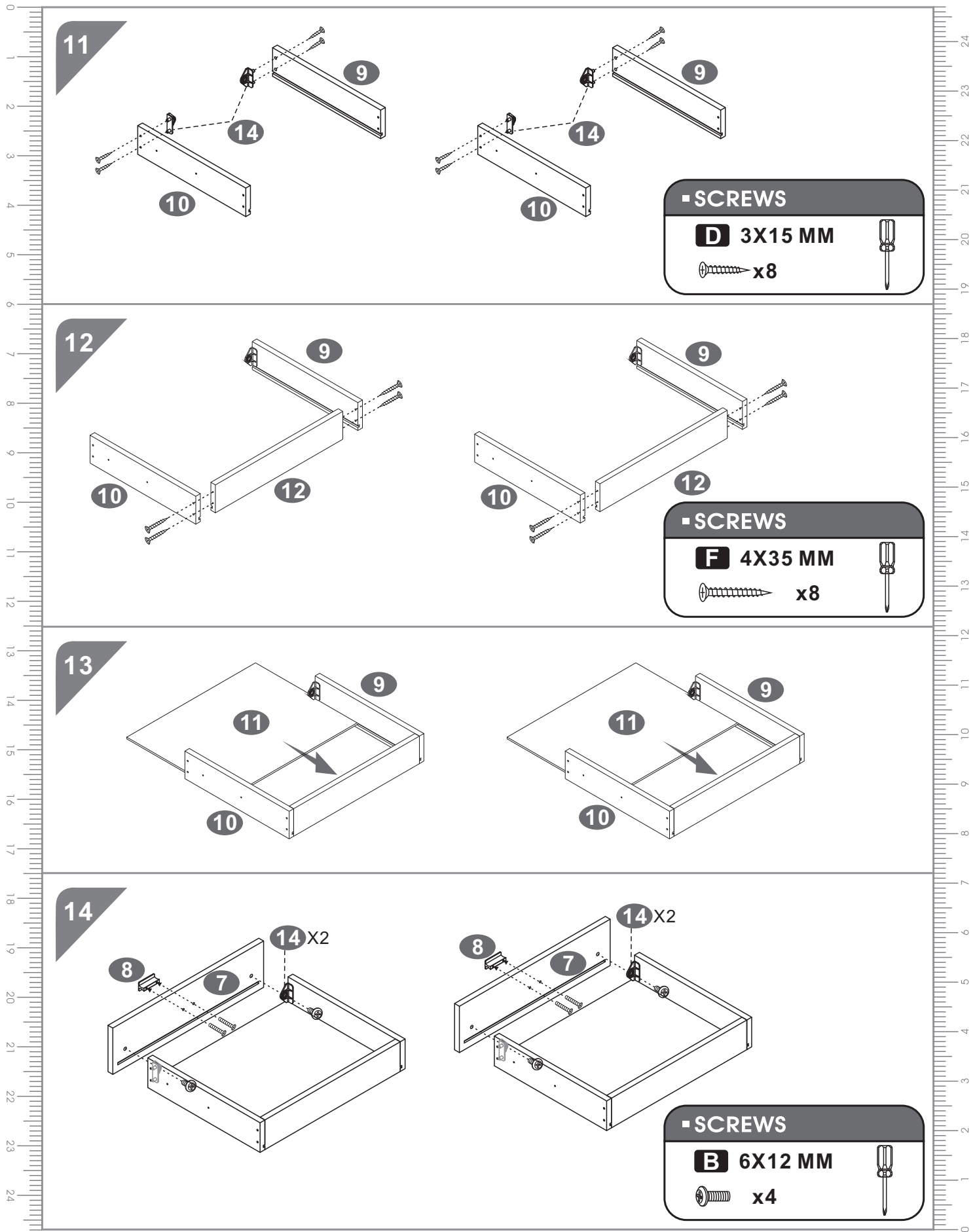


9

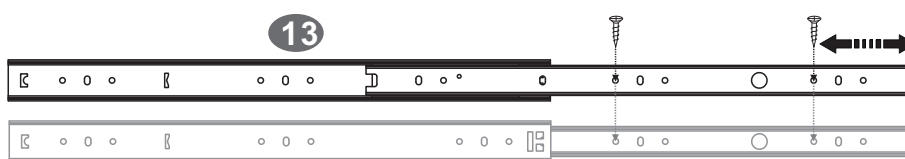
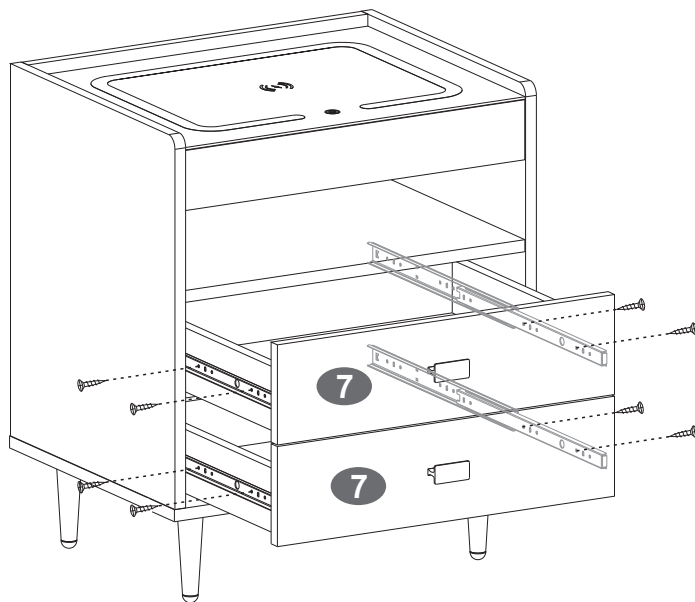


10





15



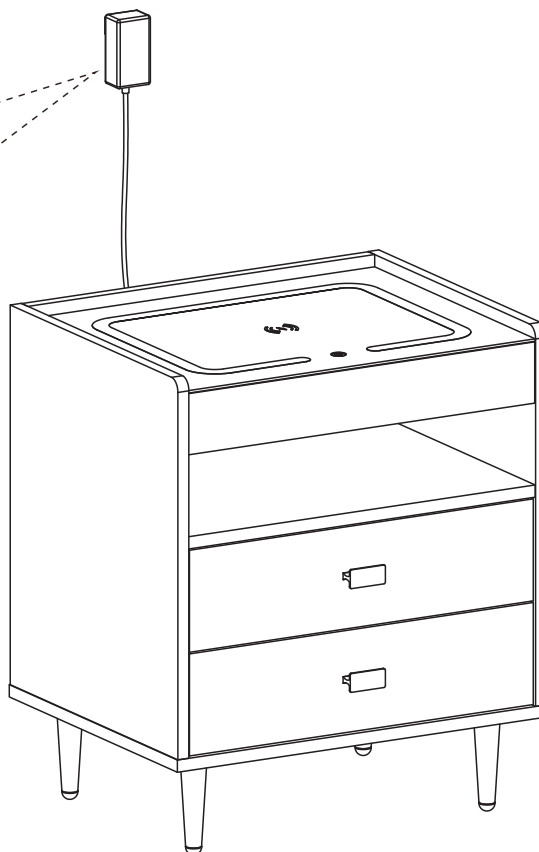
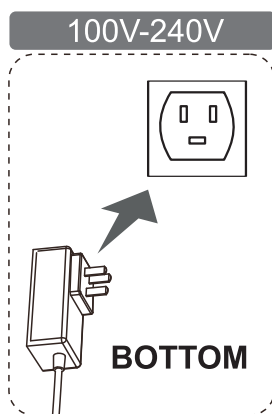
SCREWS

D 3X15 MM

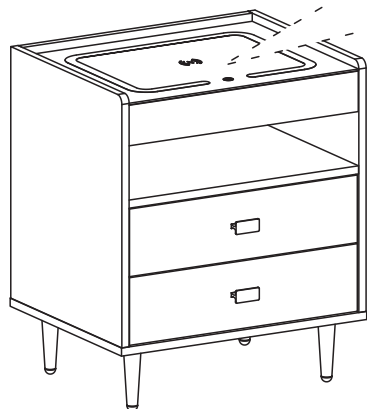
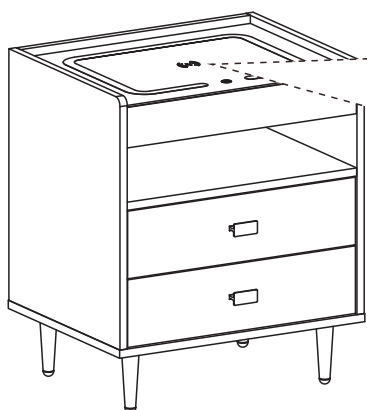
x8



16



- ⚠ The wireless charger works only for devices equipped and enabled with inductive charging.
- First make sure the Charger/Speaker's A/C adapter is properly connected to a power source.
 - Place your device over the surface of the charging pad with the symbol "((⤵))".
 - When charging, your device should display the charging status indicator.
 - Keep an eye on your device, and when fully charged, remove it from the charging pad.

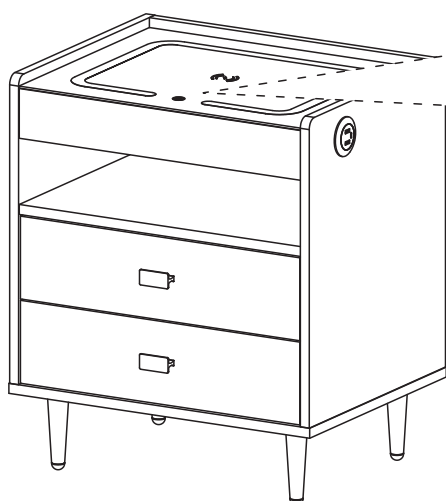


- First make the A/C adapter is properly connected to a power source.
- In your device, go to the Bluetooth settings, search for new devices and select "JC-BT".
- If prompted by your device, confirm that you wish to pair with "JC-BT".

SEARCH,
SELECT,
AND PAIR



SETTINGS
▶ BLUETOOTH
▶ JC-BT



▶ **Bedside table light switch**